

JOB NAME: _____ P.O.# _____

TRU-tile: SKIMMER & STEP INSTALLATION NOTES & GUIDANCE

SKIMMER LOCATION, WALL HEIGHT DIMENSION "X"

All items are critical for the proper installation of TRU-tile components and fabrication of your liner.

The TRU-tile system has been designed to allow for installation of standard 1084/1085 skimmers with an "X" dimension of between 2" and 2.75" (retrofit extensions will be required). The TRU-tile system has been designed to locate the top of the TRU-tile track flush with the top of the pool panel with an ideal "X" dimension of 2" and no retrofit extensions being required.

If the "X" dimension is greater than 2.75" you cannot install the TRU-tile system because the retrofit extension will be too short. If the "X" dimension is less than 2" you cannot install the TRU-tile system because the top of the track would then be higher than the top of the pool panels and/or steps.

INSTALLATION TYPE

NEW POOL INSTALL

RETROFIT INSTALL

COLOR BEAD:TRU-TILE

BLUE _____

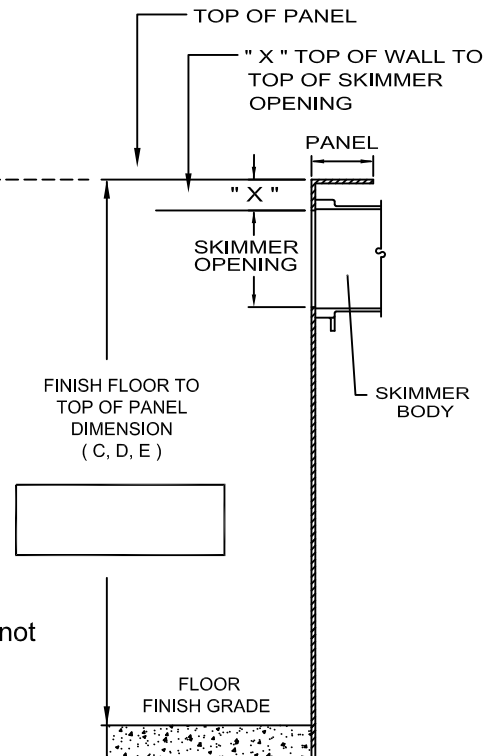
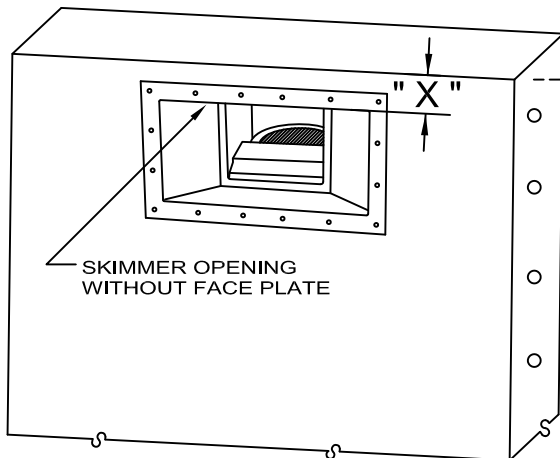
GRAY _____

WHITE _____

TOP OF WALL TO TOP OF SKIMMER OPENING

X = _____

Ideal dimension from top of panel to top of skimmer opening is 2", please specify your actual skimmer dimension "X" .

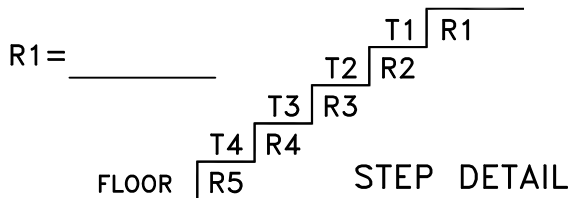


SELECT ONE:

	Measure from top of wall to top of skimmer opening	Top riser of vinyl over step must be a minimum of:
<input type="checkbox"/>	2"	8"
<input type="checkbox"/>	2 1/4"	8 1/4"
<input type="checkbox"/>	2 1/2"	8 1/2"
<input type="checkbox"/>	2 3/4"	8 3/4"

Note: If your measurements are not consistent with the chart, you can not install TRU-tile System.

TOP OF POOL PANEL, NO DECK INCLUDED



When vinyl over pool steps are used your top rise R1 needs to be a minimum of 8". See chart above for details. This will provide the necessary clearance to allow the TRU-tile track to continue along the R1 rise of your vinyl over steps.

If R1 is less than 8" you will be unable to install the TRU-tile system.

COMMENTS:

PRE SUBMISSION CHECK LIST

latham

Avoid additional trips to your job site. Check the dimensions and information below. Incorrect, missing or illegible dimensions may delay production and delivery.

LINERS

- ✓ **Vinyl Over Steps**
 - Fastener Type: Bead, Velcro, Rod Pockets, None.
 - Coping: Front or Top Mount.
 - Corners: Square, Diagonal or Radius.
 - Location: Indicate step's location.
- ✓ **A/B Points & Distances**
 - A/B Points – Indicate distance between A/B Points.
 - Sketch – Pool Shape, A/B line, hopper & pool direction.
- ✓ **Overall Dimensions**

New Pools – Provide manufacturer's panel layout, or see existing pools below.

Existing Pools – Please complete the Latham Order Form. Individual pool bottom measurements MUST = overall length and width (A&B) measurements.
- ✓ **Grecian Pools**

Provide dimensions for all sides of the pool & hopper pad shape. Measure to the point of the pool corner, not a radius coping.
- ✓ **Pool Corners**

Indicate Square, Diagonal or Radius. Indicate dimensions in inches. Guides are available to help determine sizes.
- ✓ **Color / Pattern / Thickness**

Clearly indicate these three choices.
- ✓ **ABG Liners**

Indicate: A) Wall height, B) Bead or Overlap, C) Make if non-standard.
- ✓ **Preformed Steps**

Indicate step location within pool perimeter for liner wall seam location.

SAFETY COVERS

- ✓ **Step Dimensions**

Double check Depth, Width, & Shape.
- ✓ **A/B Points & Distances**

Free Form Covers – include:

 - Distance between A/B points.
 - Pool sketch showing A/B line, pool direction, and all obstructions.
 - Replacement covers – measure to anchors and pool from the same A/B line.
- ✓ **Corners**

Indicate pool corners as Square, Diagonal or Radius. Include dimensions in inches. Guides are available to help determine sizes.
- ✓ **Grid Spacing**

Geometric shapes must indicate 3x3 or 5x5.
- ✓ **Grecian Covers**

Provide dimensions for all sides of the pool. Measure to the point of the pool corner, not a radius coping.
- ✓ **Color / Material**

Clearly indicate these choices.
- ✓ **Pump / Drain / Waiver**

One must be selected.
- ✓ **Deck Type & Size**
 - Confirm at least 3' of deck; decks less than 3' can use the reduced deck mount system.
 - Indicate Deck type, Anchor, and if padding is required.
- ✓ **Obstructions**
 - Indicate all non-removable obstructions within 3' of the pool.
 - Provide photos of all obstructions.