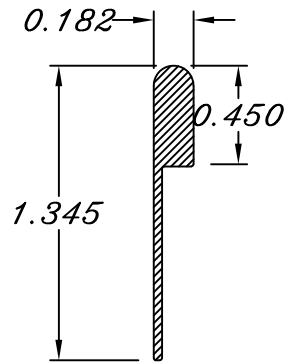


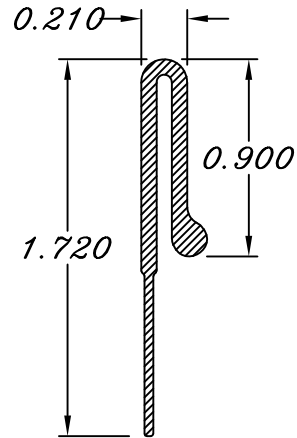
A

EW STYLE



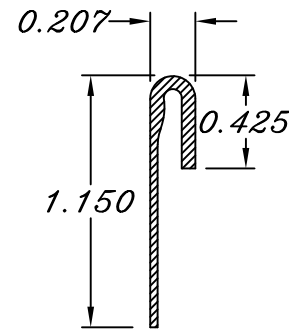
B

LARGE AG J-HOOK



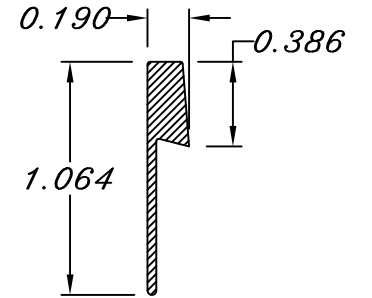
C

SMALL IG J-HOOK



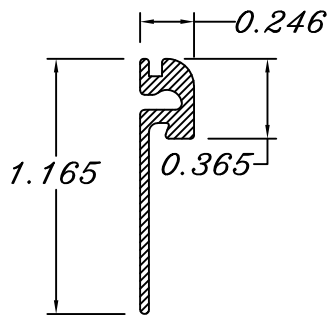
D

STD. ABOVE GROUND



H

TRU-TILE IG
SURE-FIT IG

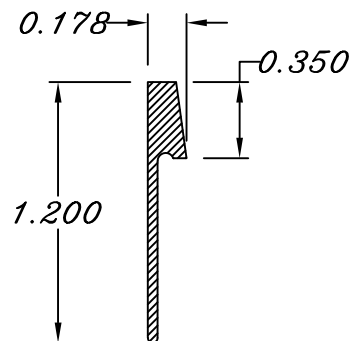


PLEASE SPECIFY TRU-TILE OR SURE-FIT WHEN ORDERING.

PATENTED

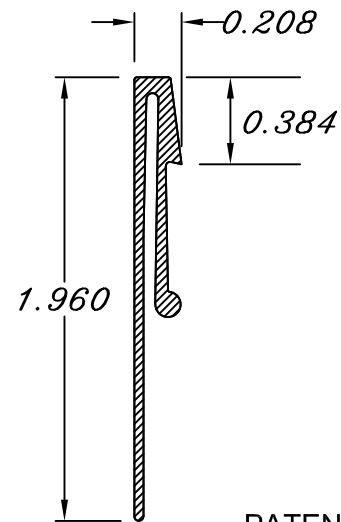
J

LATHAM UNIV. IG



K

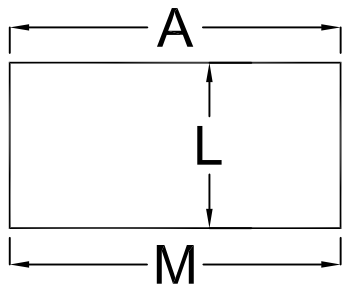
EZ BEAD AG



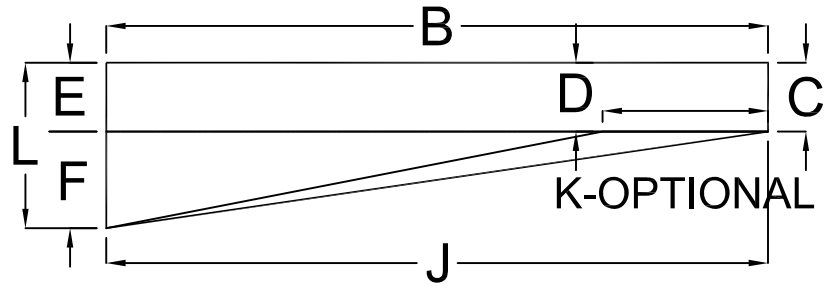
PATENTED

LATHAM LINK BOTTOM TYPES

STRAIGH SLOPE BOTTOM

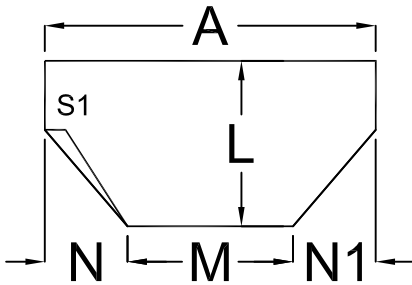


STANDING IN SHALLOW END

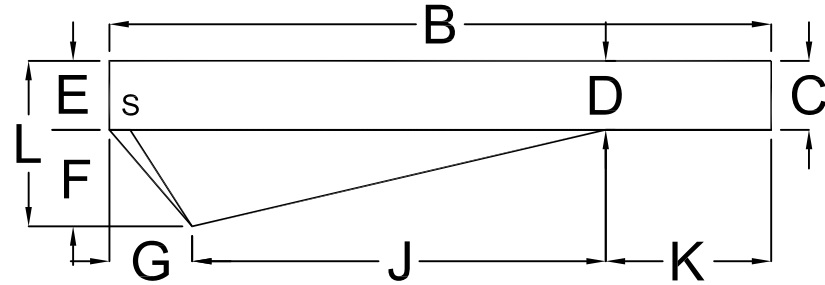


BOTTOM TYPE #1

WEDGE BOTTOM WITH SHALLOW END

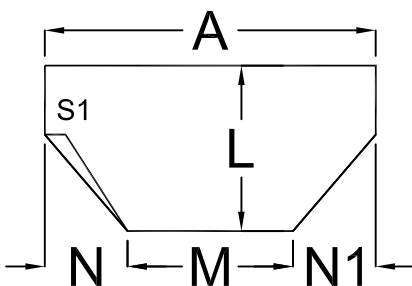


STANDING IN SHALLOW END

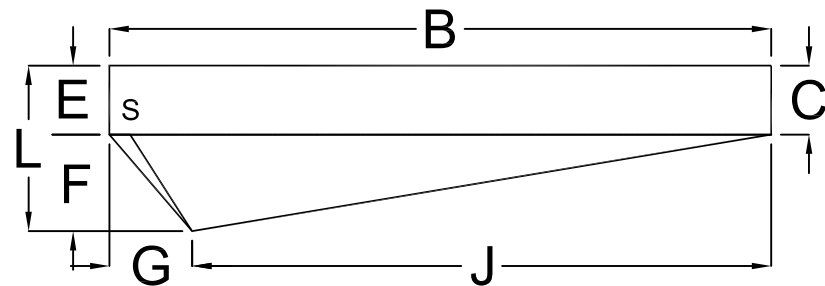


BOTTOM TYPE #2

WEDGE BOTTOM

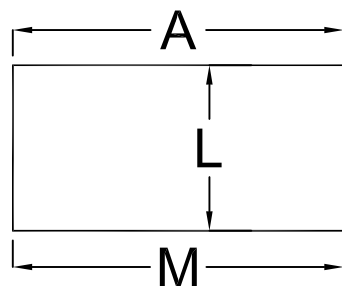


STANDING IN SHALLOW END

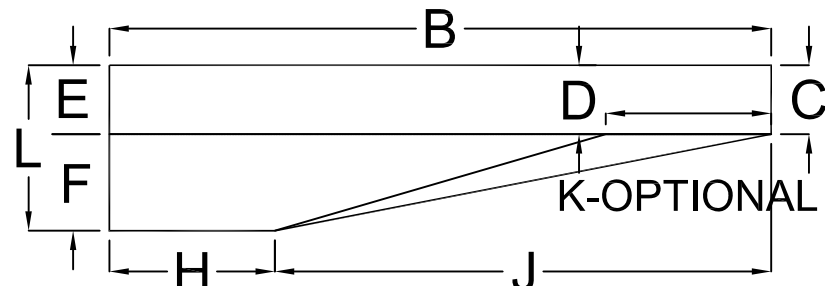


BOTTOM TYPE #3

MODIFIED STRAIGHT WEDGE BOTTOM

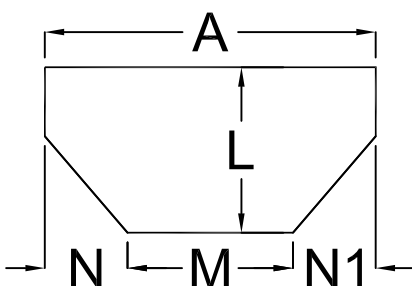


STANDING IN SHALLOW END

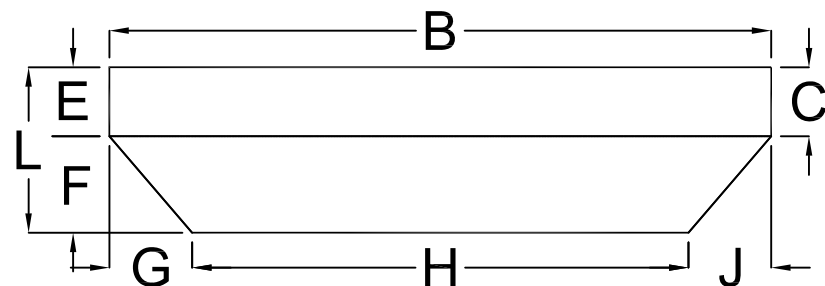


BOTTOM TYPE #4

MODIFIED WEDGE BOTTOM



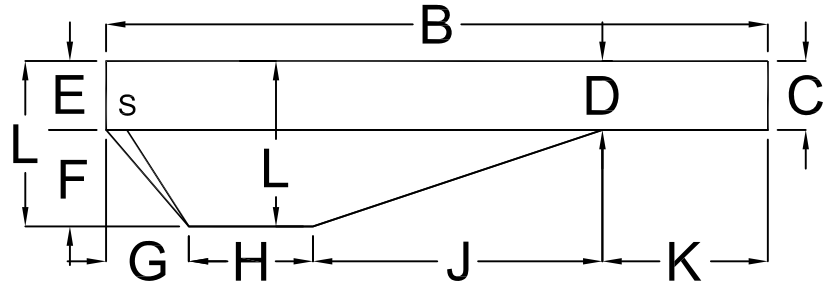
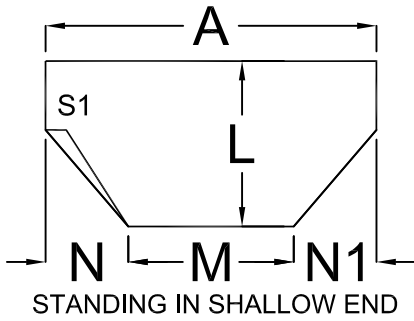
STANDING IN SHALLOW END



BOTTOM TYPE #5

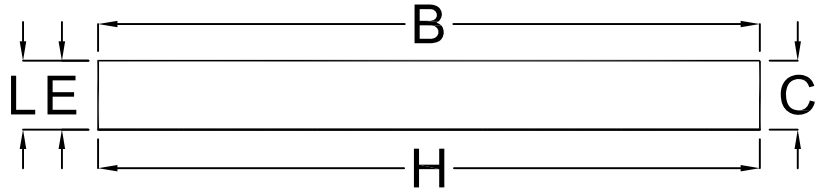
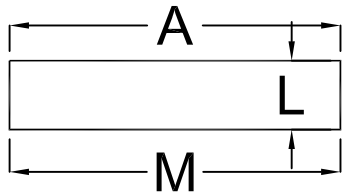
LATHAM LINK BOTTOM TYPES

STANDARD HOPPER BOTTOM



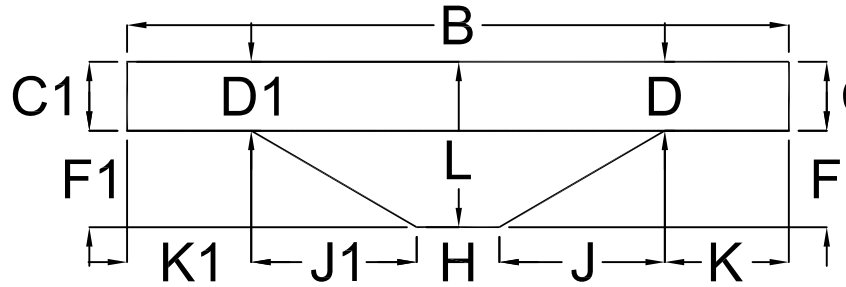
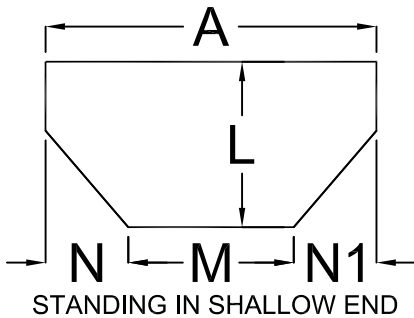
BOTTOM
TYPE #6

FLAT BOTTOM



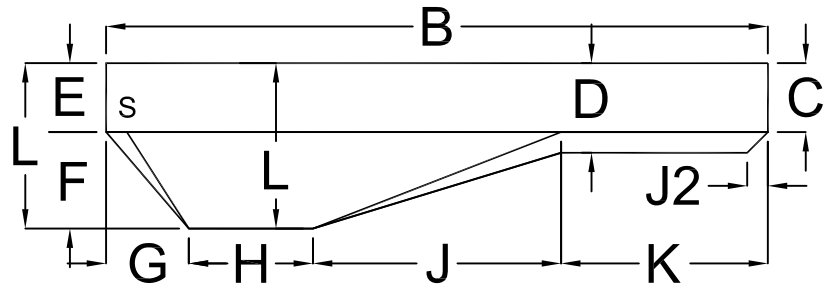
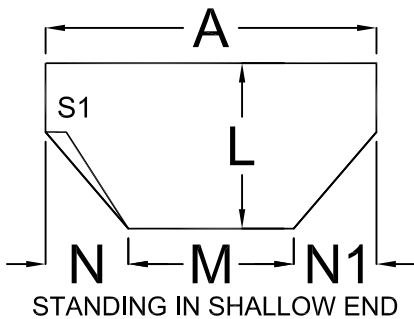
BOTTOM
TYPE #7

SPORT BOTTOM



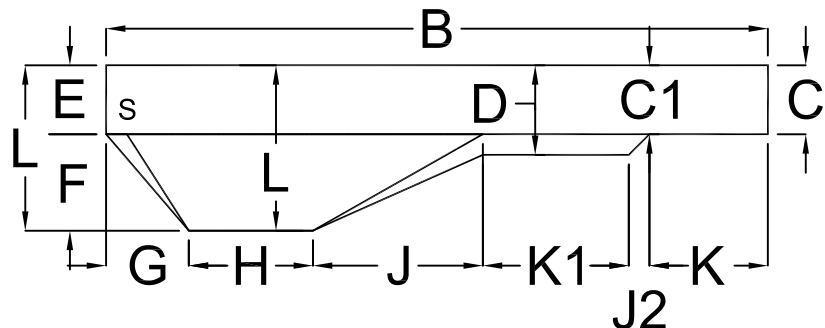
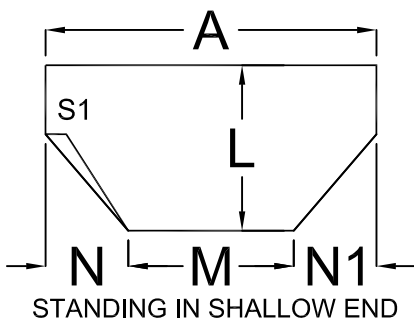
BOTTOM
TYPE #8

SHALLOW END COVE BOTTOM

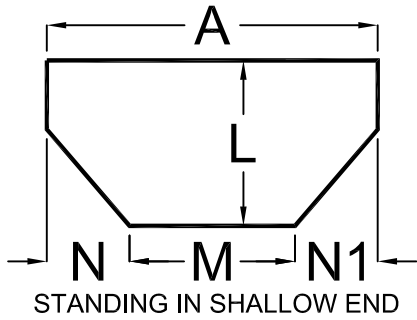
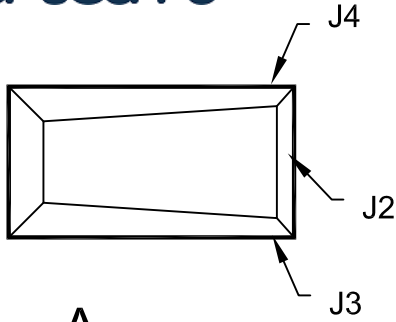


BOTTOM
TYPE #9

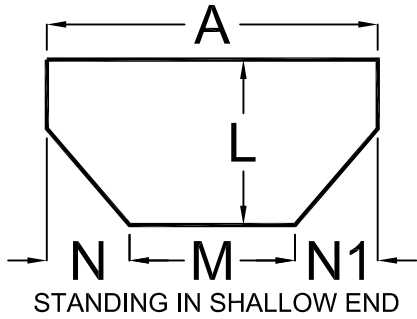
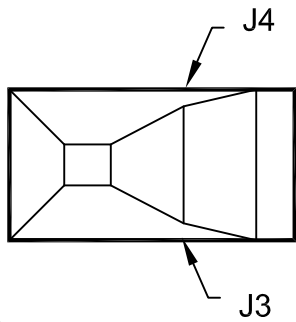
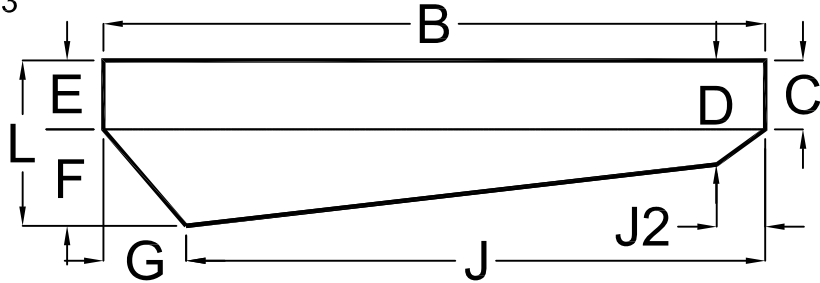
TRI-LEVEL BOTTOM



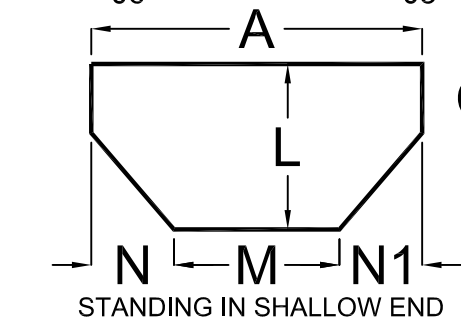
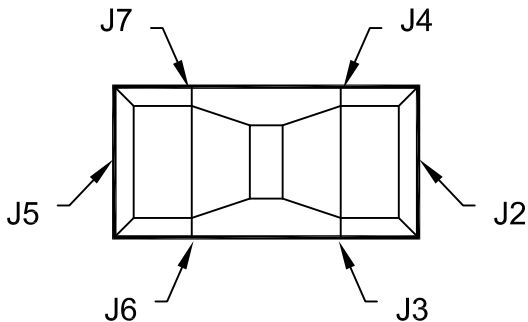
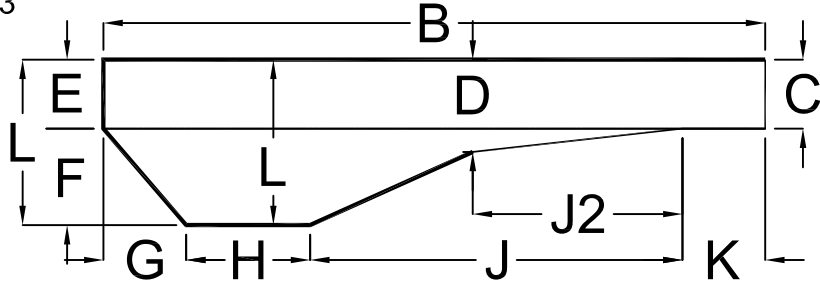
BOTTOM
TYPE #10



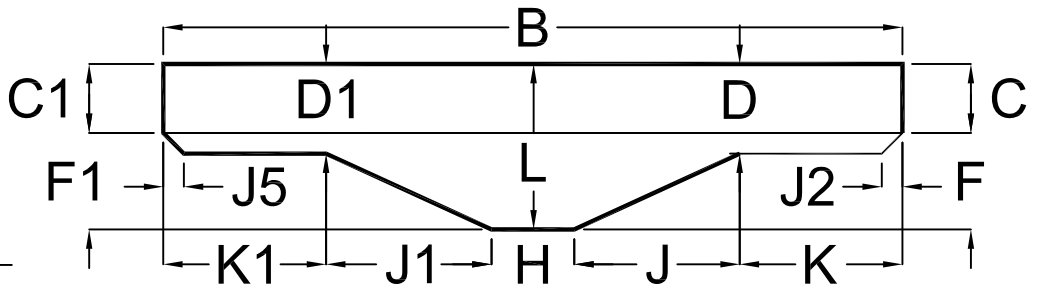
WEDGE BOTTOM WITH COVE



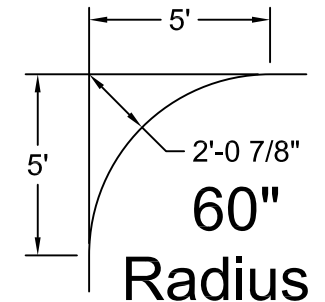
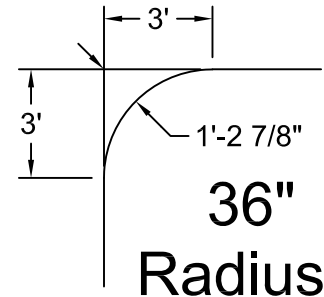
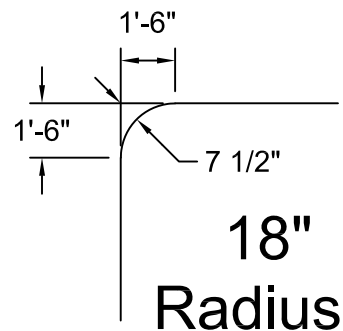
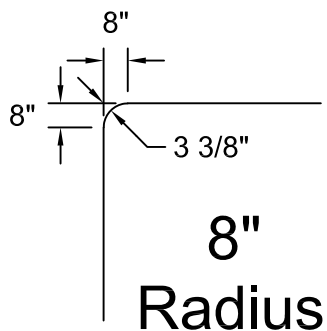
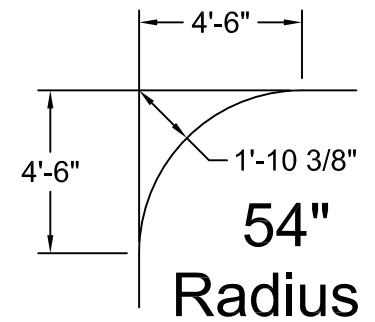
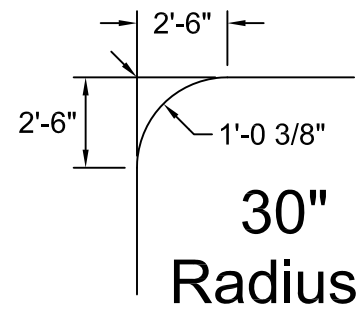
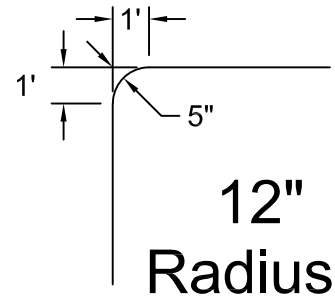
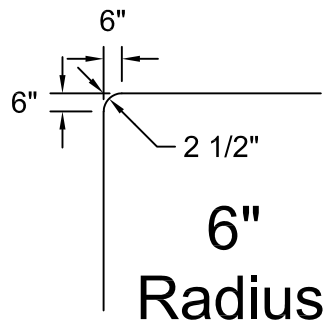
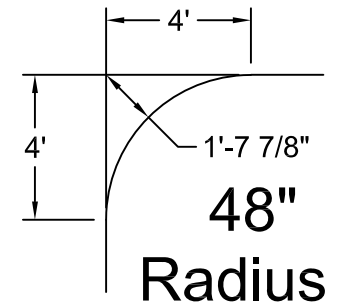
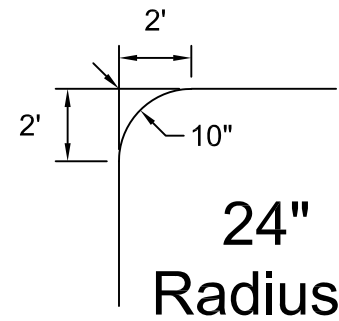
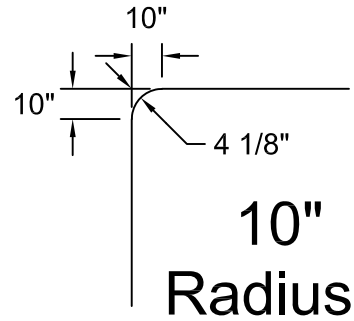
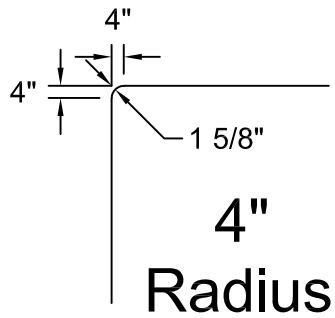
DOUBLE ANGLE SLOPE



SPORT BOTTOM WITH COVE

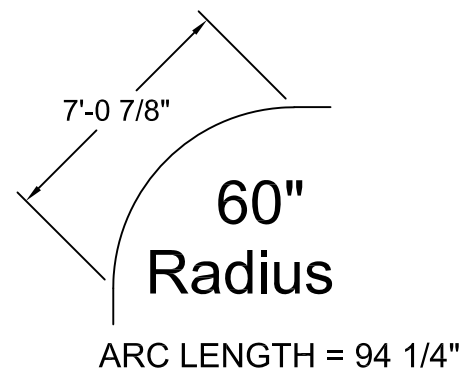
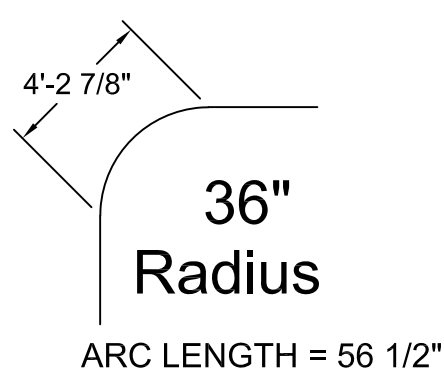
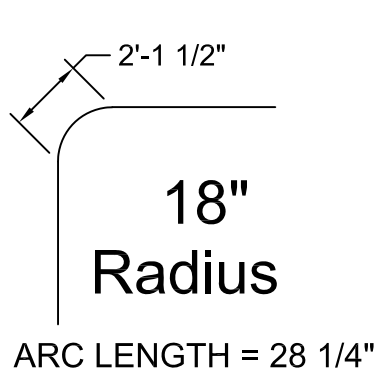
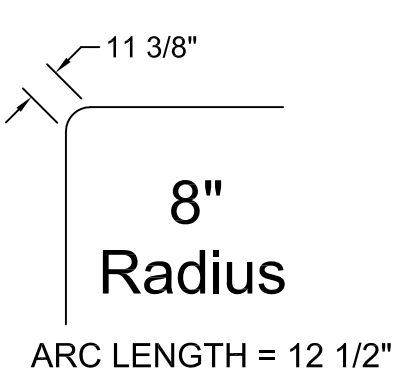
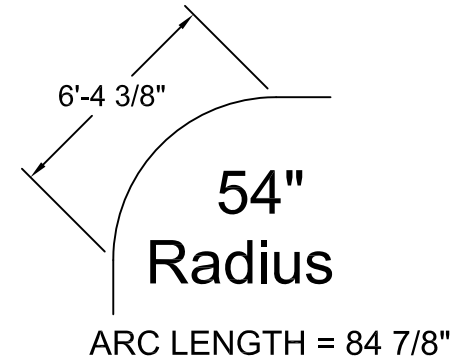
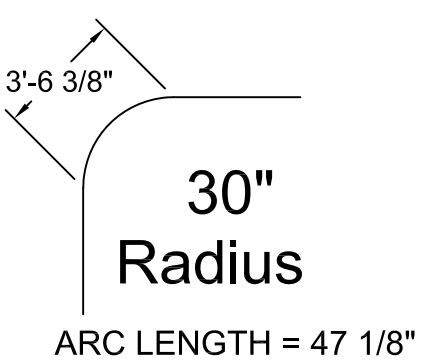
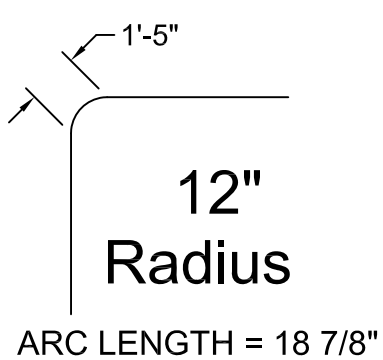
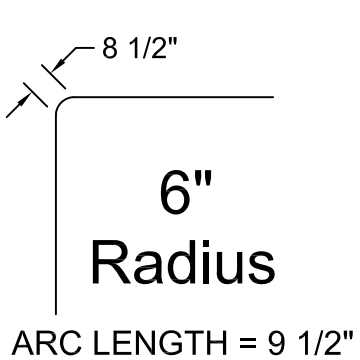
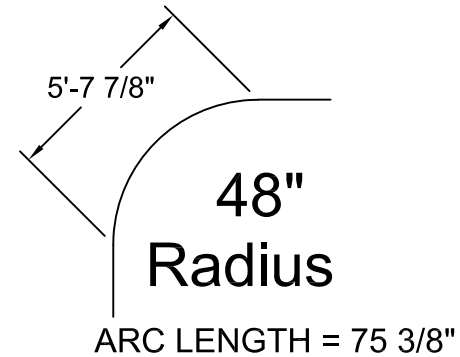
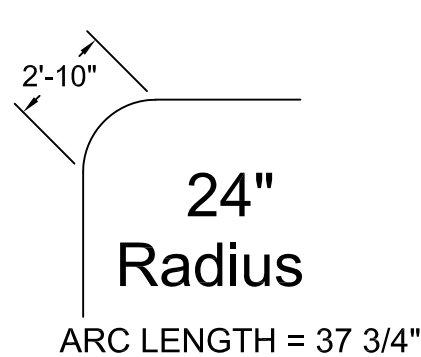
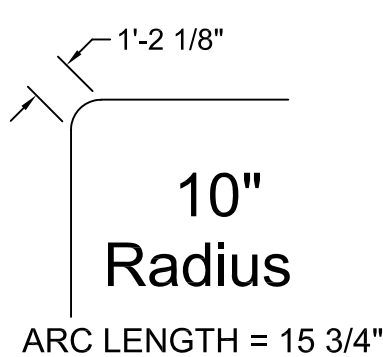
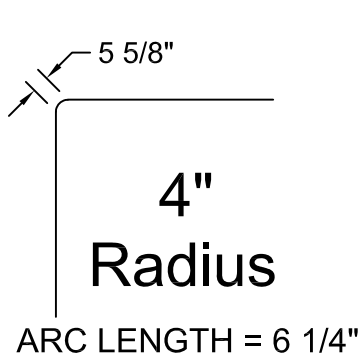


RADIUS CORNER REFERENCE



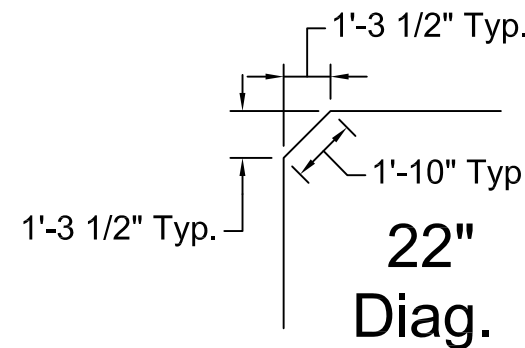
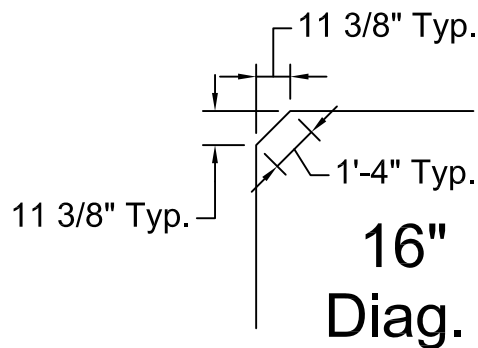
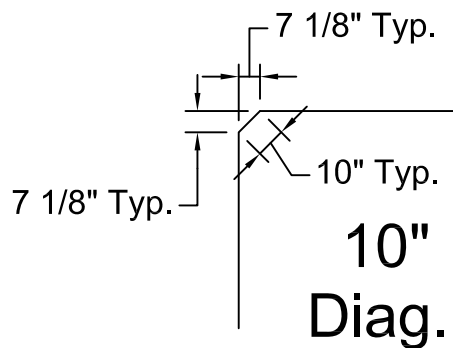
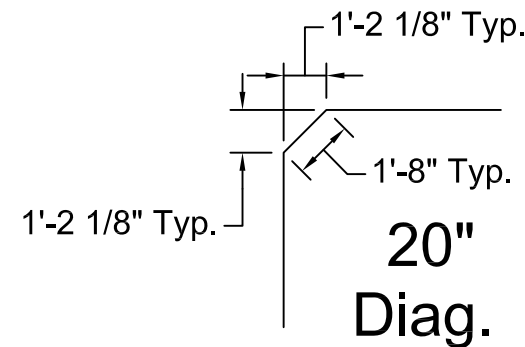
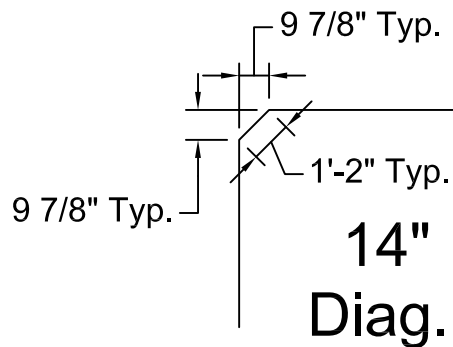
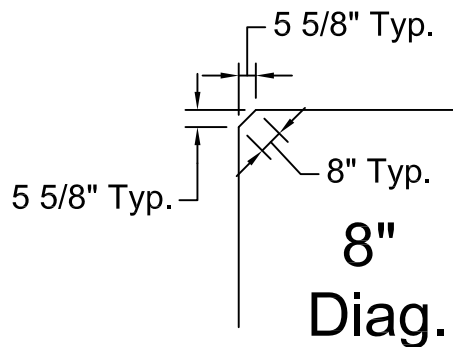
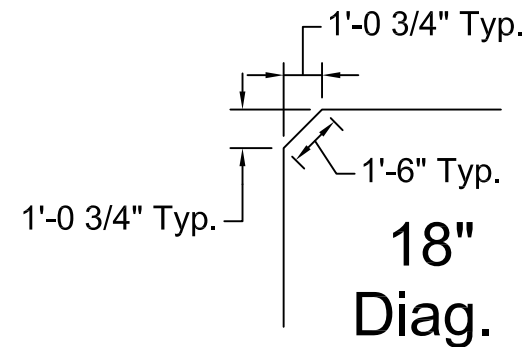
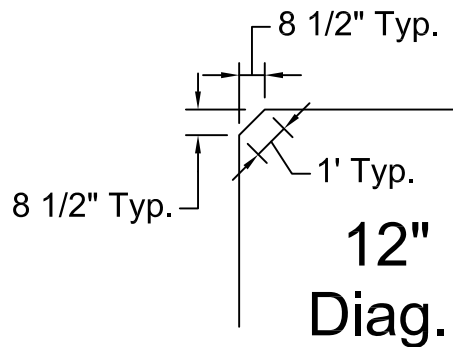
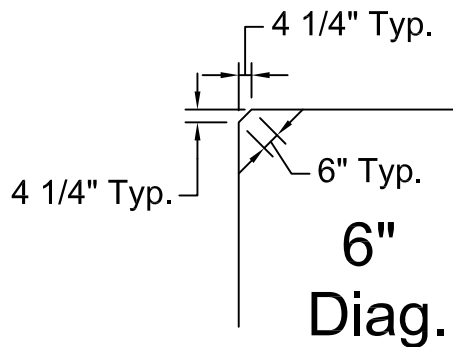
Pools with radius corners greater than 60" should be measured as Modified Ovals.

RADIUS CORNER REFERENCE

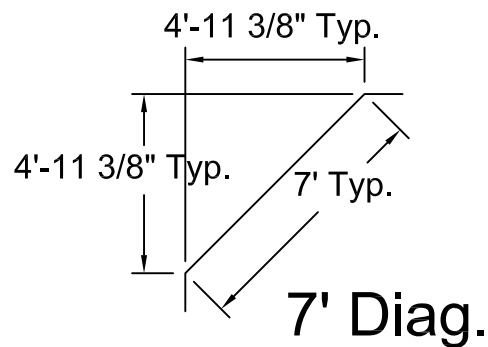
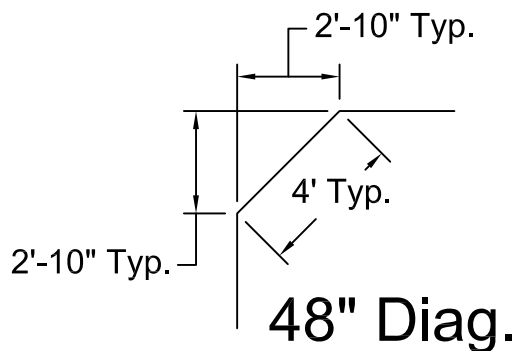
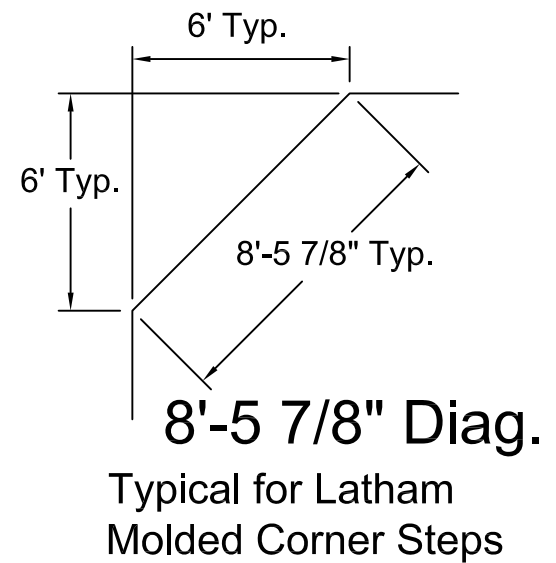
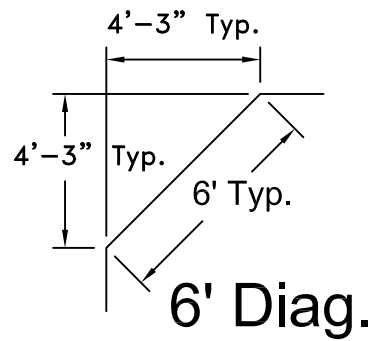
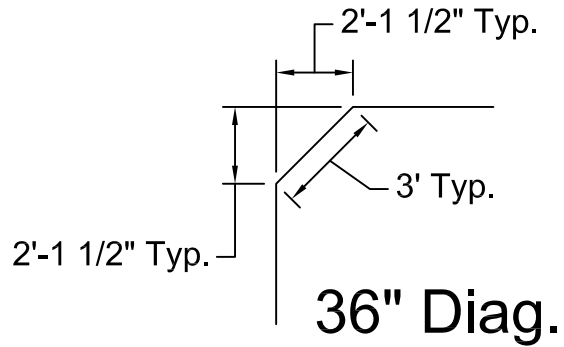
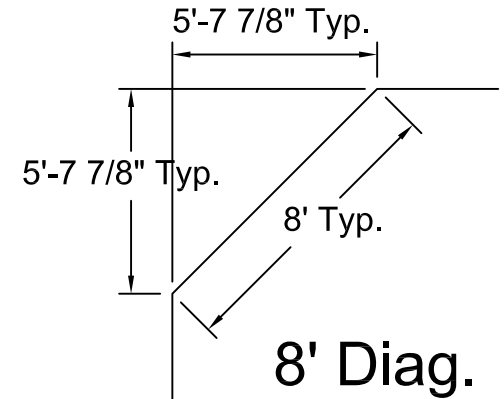
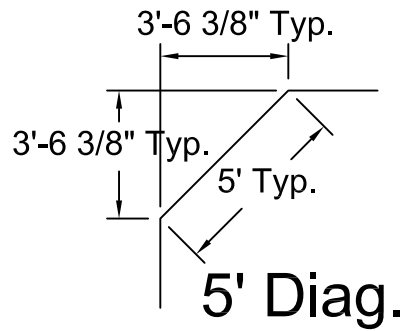
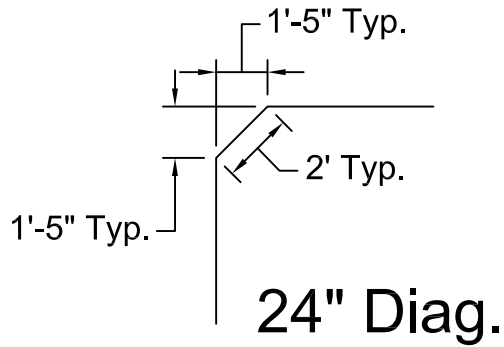


Pools with radius corners greater than 60"
should be measured as Modified Ovals.

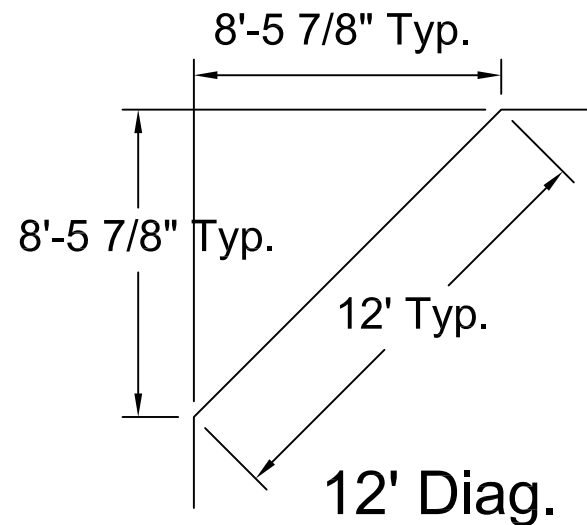
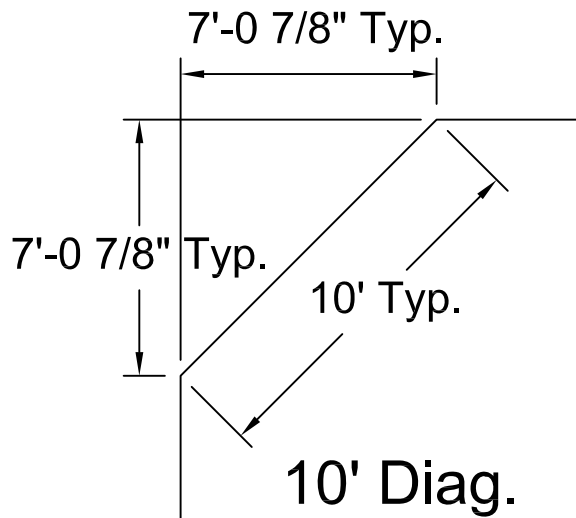
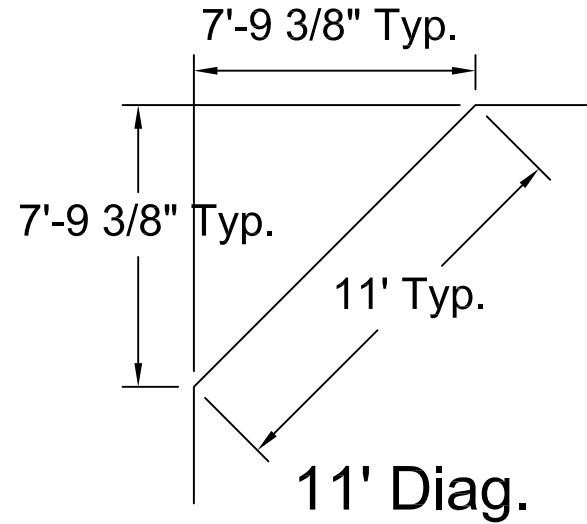
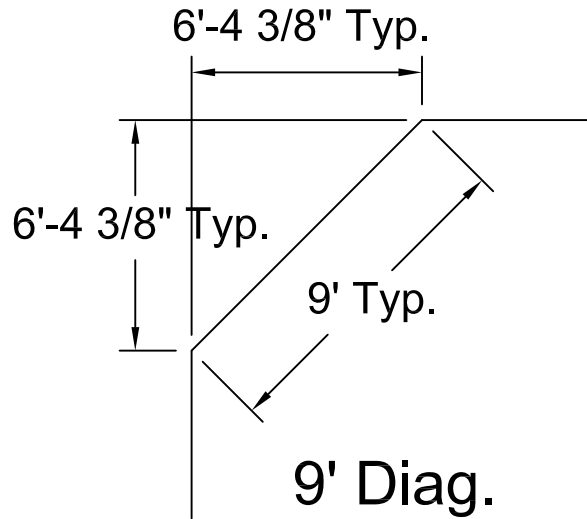
DIAGONAL CORNER REFERENCE



Dimensions shown reflect 45 degree corner angles

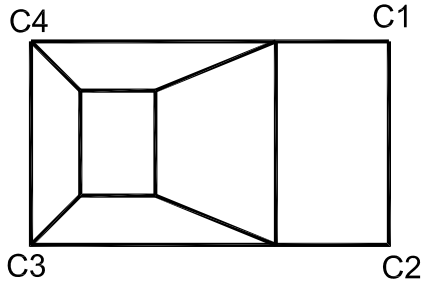


Dimensions shown reflect 45 degree corner angles

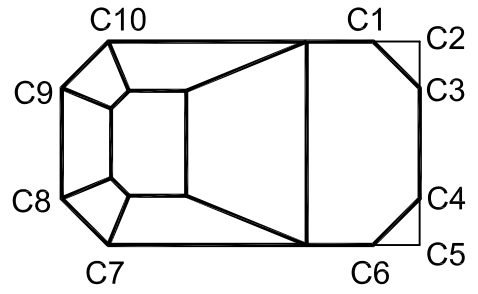


Dimensions shown reflect 45 degree corner angles

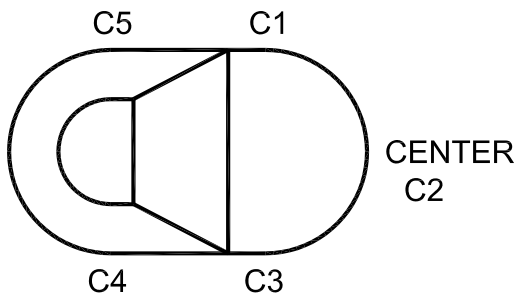
RECTANGLE



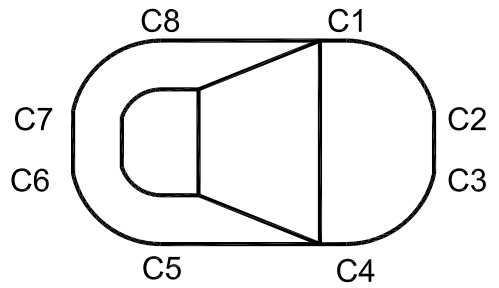
GRECIAN



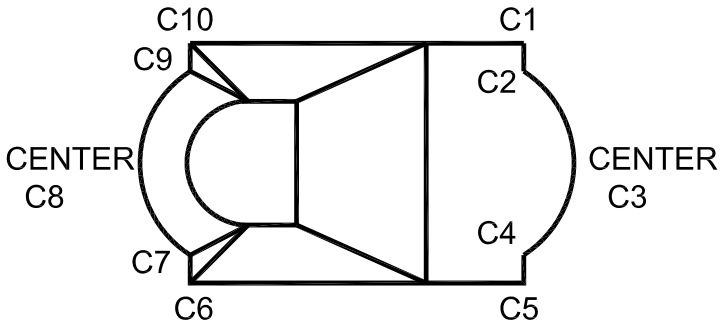
TRUE OVAL



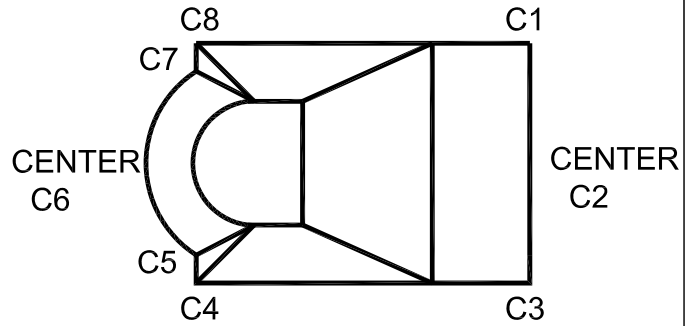
MODIFIED OVAL



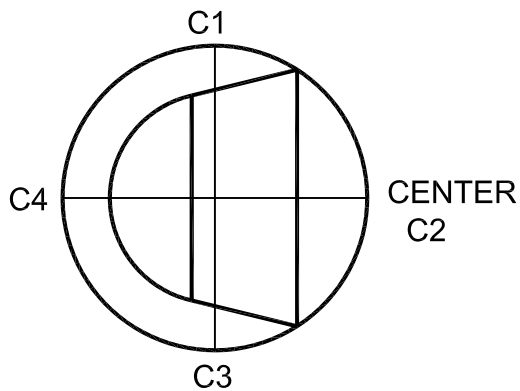
ROMAN END



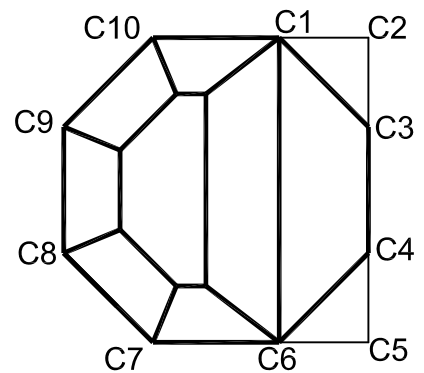
PATRICIAN



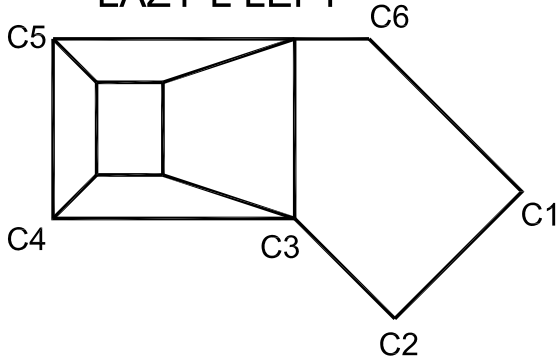
ROUND



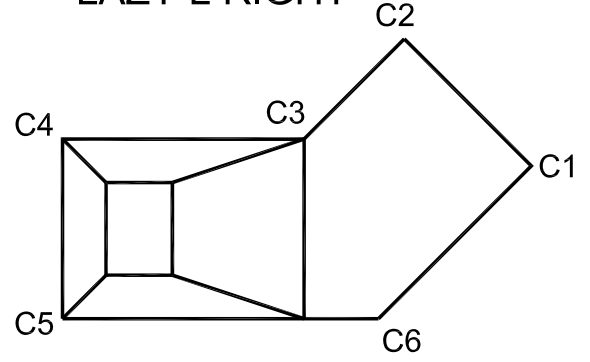
OCTAGON



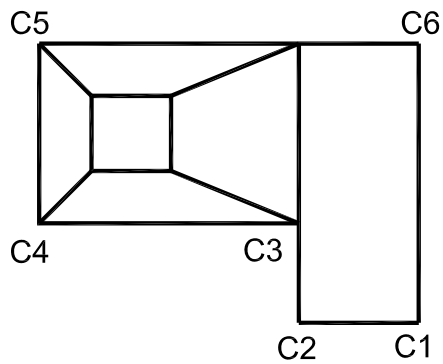
LAZY L LEFT



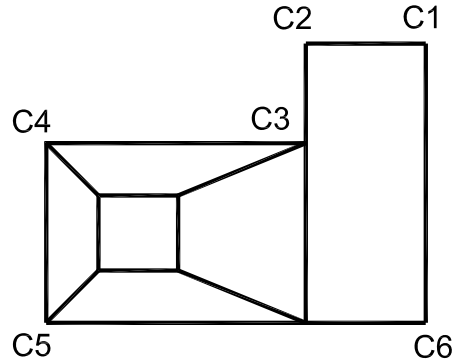
LAZY L RIGHT



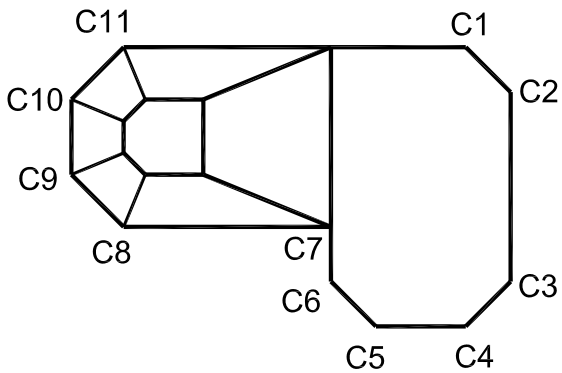
TRUE L LEFT



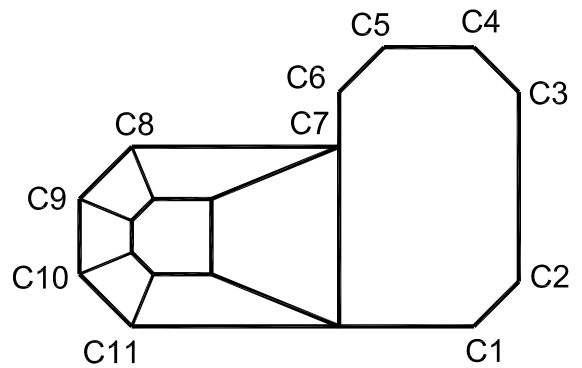
TRUE L RIGHT



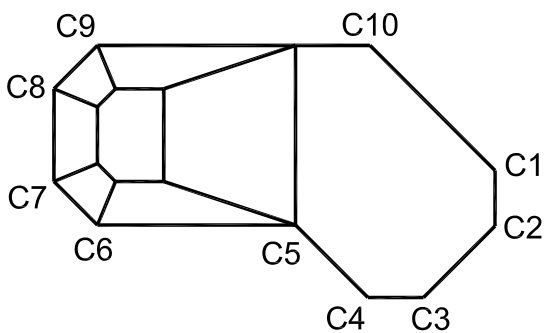
GRECIAN TRUE L LEFT



GRECIAN TRUE L RIGHT



GRECIAN LAZY L LEFT



GRECIAN LAZY L RIGHT

