



# GRECIAN W/SHALLOW COVE ORDER FORM

ORDER  QUOTE

NEW INSTALLATION  REPLACEMENT JOB NAME: \_\_\_\_\_

SHIPPING INSTRUCTIONS

BRANCH  DEALER

COMMON CARRIER

OTHER \_\_\_\_\_

BRANCH \_\_\_\_\_

P.O. # \_\_\_\_\_

SHIPPING ADDRESS BRANCH  DEALER

NAME \_\_\_\_\_

STREET \_\_\_\_\_

CITY/STATE \_\_\_\_\_

PHONE # \_\_\_\_\_ ZIP \_\_\_\_\_

BRANCH E-MAIL \_\_\_\_\_

DATE \_\_\_\_\_ DEALER P.O.# \_\_\_\_\_

DEALER NAME \_\_\_\_\_

STREET \_\_\_\_\_

CITY/STATE \_\_\_\_\_

PHONE # \_\_\_\_\_ ZIP \_\_\_\_\_

DEALER FAX # \_\_\_\_\_

MARK BOX HOMEOWNER \_\_\_\_\_

DEALER E-MAIL \_\_\_\_\_

I authorize Latham Pool Products to enter the alternate material selections when the primary selection is not available.

CHECK BOX & INIT.

**PRIMARY MATERIAL SELECTION (PRINT)**

20 MIL

27 MIL  VINYL TILE/ WALL PATTERN (FULL NAME) \_\_\_\_\_

20 MIL

27 MIL  FLOOR PATTERN \_\_\_\_\_

**ALTERNATE MATERIAL SELECTION - #1 (PRINT)**

20 MIL

27 MIL  VINYL TILE/ WALL PATTERN (FULL NAME) \_\_\_\_\_

20 MIL

27 MIL  FLOOR PATTERN \_\_\_\_\_

**ALTERNATE MATERIAL SELECTION - #2 (PRINT)**

20 MIL

27 MIL  VINYL TILE/ WALL PATTERN (FULL NAME) \_\_\_\_\_

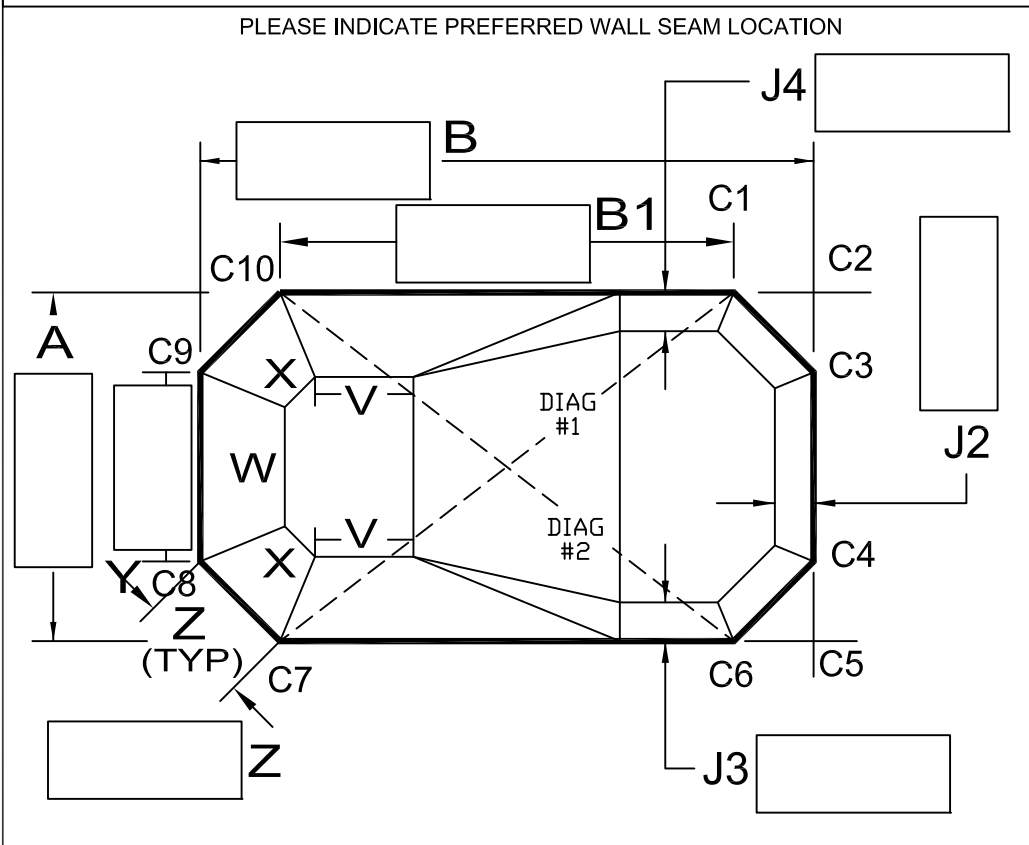
20 MIL

27 MIL  FLOOR PATTERN \_\_\_\_\_

BEAD TYPE: BEADED

STD. INGROUND - UNIVERSAL  OTHER: SEE BEAD CHART \_\_\_\_\_

OVERLAP  (OVERLAP INCHES) \_\_\_\_\_



VINYL COVERED STEPS:

IF YES: SHOW LOCATION ON TOP VIEW & INCLUDE STEP PAGE. CENTER OF SHALLOW END

STEPS ARE LOCATED BETWEEN

'C' Point \_\_\_\_\_ & 'C' Point \_\_\_\_\_

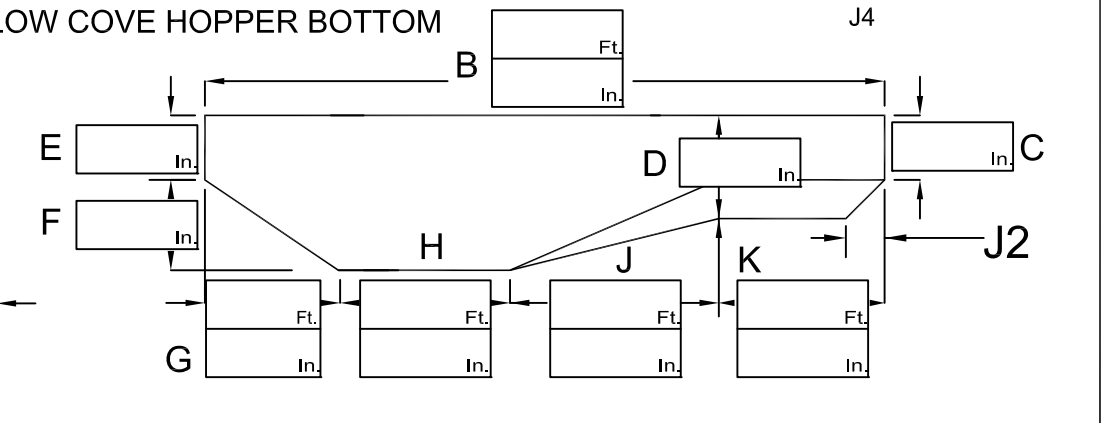
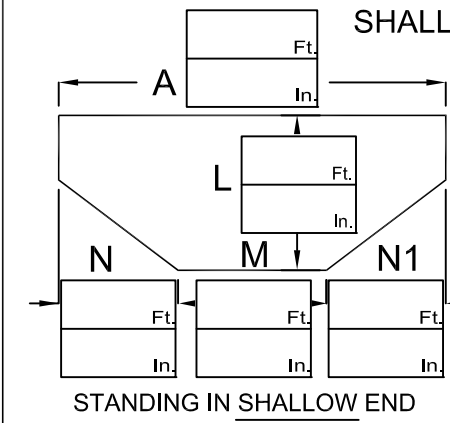
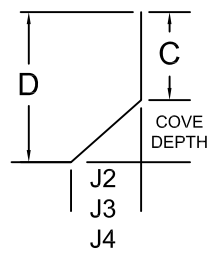
\_\_\_\_\_ " From 'C' \_\_\_\_\_ " From 'C' \_\_\_\_\_

HOPPER PAD: GRECIAN  SQUARE

W \_\_\_\_\_, X \_\_\_\_\_, V \_\_\_\_\_

DIAGONALS:

DIAG. #1 \_\_\_\_\_ /DIAG. #2 \_\_\_\_\_



# PRE SUBMISSION CHECK LIST

*latham*

Avoid additional trips to your job site. Check the dimensions and information below. Incorrect, missing or illegible dimensions may delay production and delivery.

## LINERS

- ✓ **Vinyl Over Steps**
  - Fastener Type: Bead, Velcro, Rod Pockets, None.
  - Coping: Front or Top Mount.
  - Corners: Square, Diagonal or Radius.
  - Location: Indicate step's location.
- ✓ **A/B Points & Distances**
  - A/B Points – Indicate distance between A/B Points.
  - Sketch – Pool Shape, A/B line, hopper & pool direction.
- ✓ **Overall Dimensions**

**New Pools** – Provide manufacturer's panel layout, or see existing pools below.

**Existing Pools** – Please complete the Latham Order Form. Individual pool bottom measurements MUST = overall length and width (A&B) measurements.
- ✓ **Grecian Pools**

Provide dimensions for all sides of the pool & hopper pad shape. Measure to the point of the pool corner, not a radius coping.
- ✓ **Pool Corners**

Indicate Square, Diagonal or Radius. Indicate dimensions in inches. Guides are available to help determine sizes.
- ✓ **Color / Pattern / Thickness**

Clearly indicate these three choices.
- ✓ **ABG Liners**

Indicate: A) Wall height, B) Bead or Overlap, C) Make if non-standard.
- ✓ **Preformed Steps**

Indicate step location within pool perimeter for liner wall seam location.

## SAFETY COVERS

- ✓ **Step Dimensions**

Double check Depth, Width, & Shape.
- ✓ **A/B Points & Distances**

Free Form Covers – include:

  - Distance between A/B points.
  - Pool sketch showing A/B line, pool direction, and all obstructions.
  - Replacement covers – measure to anchors and pool from the same A/B line.
- ✓ **Corners**

Indicate pool corners as Square, Diagonal or Radius. Include dimensions in inches. Guides are available to help determine sizes.
- ✓ **Grid Spacing**

Geometric shapes must indicate 3x3 or 5x5.
- ✓ **Grecian Covers**

Provide dimensions for all sides of the pool. Measure to the point of the pool corner, not a radius coping.
- ✓ **Color / Material**

Clearly indicate these choices.
- ✓ **Pump / Drain / Waiver**

One must be selected.
- ✓ **Deck Type & Size**
  - Confirm at least 3' of deck; decks less than 3' can use the reduced deck mount system.
  - Indicate Deck type, Anchor, and if padding is required.
- ✓ **Obstructions**
  - Indicate all non-removable obstructions within 3' of the pool.
  - Provide photos of all obstructions.