

DEALER NAME : _____



JOB NAME : _____

WHEN COVER GOES UP TO AND OVER OBSTACLE

OBSTACLE # _____ (EXAMPLE 1 OF 2, 2 OF 2 ETC.)

USE A SEPERATE SHEET FOR EA. OBSTACLE

RAISED DECK

BENCH

SPA

WILL SPA BE USED WHILE POOL IS COVERED? _____ YES NO

CAN WE ATTACH ANCHORS OR I-BOLTS INTO VERTICAL SURFACE AT DECK LEVEL? _____ YES NO

ARE PHOTO'S INCLUDED ? _____ YES NO

MEASUREMENTS FOR SPA OR BENCH FROM PT. 0 TO FLAT WALL _____

PT. P TO PT. O _____

PT. 00 TO PT. 01 _____

PT. 01 TO PT. 02 _____

PT. 02 TO PT. 03 _____

PT. 03 TO PT. 04 _____

PT. 04 TO PT. 05 _____

PT. 05 TO PT. 06 _____

PT. 06 TO PT. 07 _____

PT. 07 TO PT. 08 _____

PT. 08 TO PT. 09 _____

PT. 09 TO PT. 10 _____

PT. 00 TO S0 _____

PT. 01 TO S1 _____

PT. 02 TO S2 _____

PT. 03 TO S3 _____

PT. 04 TO S4 _____

PT. 05 TO S5 _____

PT. 06 TO S6 _____

PT. 07 TO S7 _____

PT. 08 TO S8 _____

PT. 09 TO S9 _____

MEASUREMENTS FOR RAISED DECK (MULTI LEVEL)

HEIGHT ABOVE DECK AT "S" POINTS

S1 _____

S2 _____

S3 _____

S4 _____

S5 _____

S6 _____

S7 _____

S8 _____

S9 _____

HEIGHT ABOVE DECK AT "D" POINTS

D1 _____

D2 _____

D3 _____

D4 _____

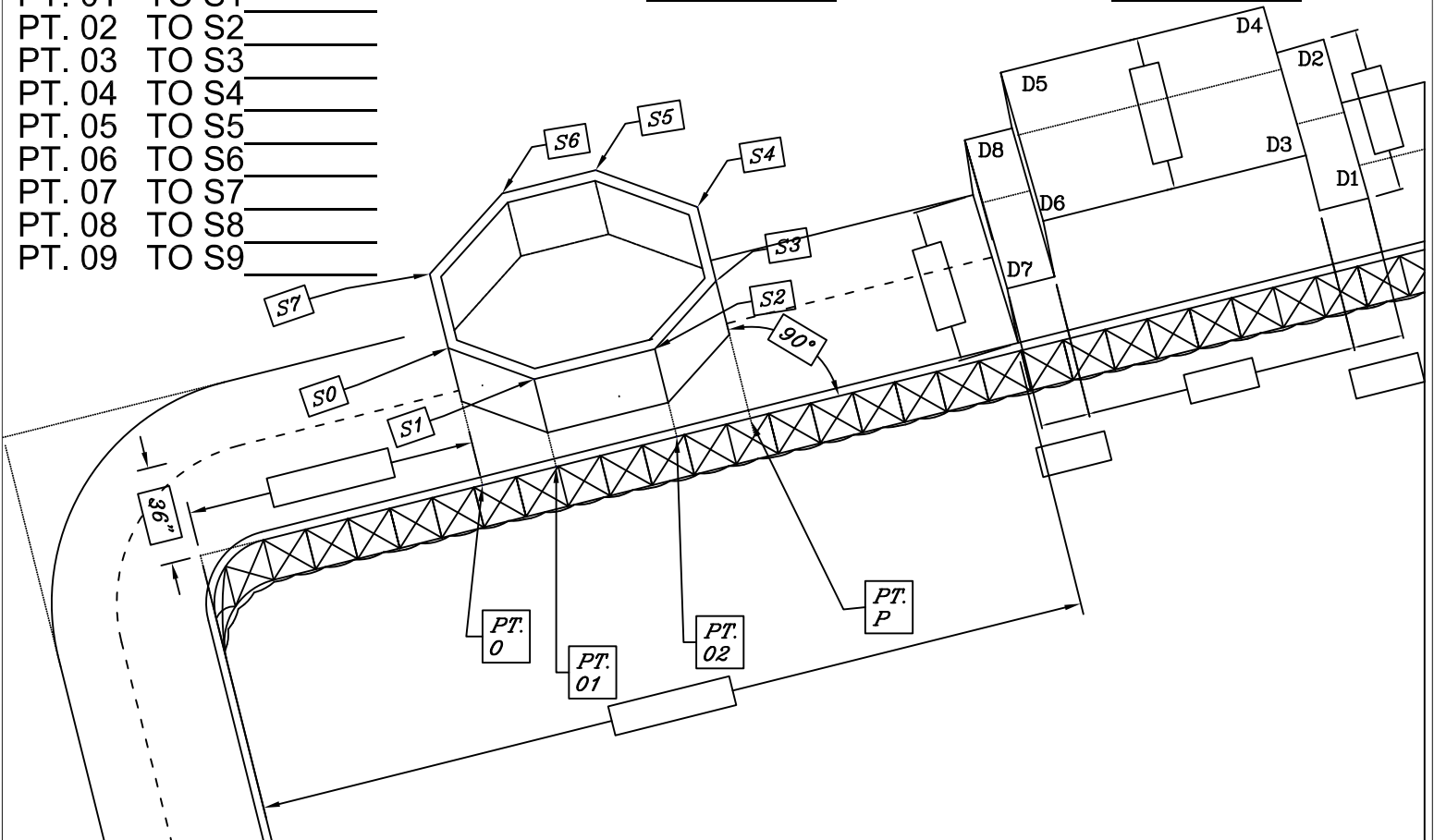
D5 _____

D6 _____

D7 _____

D8 _____

D9 _____



PRE SUBMISSION CHECK LIST



Avoid additional trips to your job site. Check the dimensions and information below. Incorrect, missing or illegible dimensions may delay production and delivery.

LINERS

- ✓ **Vinyl Over Steps**
 - Fastener Type: Bead, Velcro, Rod Pockets, None.
 - Coping: Front or Top Mount.
 - Corners: Square, Diagonal or Radius.
 - Location: Indicate step's location.
- ✓ **A/B Points & Distances**
 - A/B Points – Indicate distance between A/B Points.
 - Sketch – Pool Shape, A/B line, hopper & pool direction.
- ✓ **Overall Dimensions**

New Pools – Provide manufacturer's panel layout, or see existing pools below.

Existing Pools – Please complete the Latham Order Form. Individual pool bottom measurements MUST = overall length and width (A&B) measurements.
- ✓ **Grecian Pools**

Provide dimensions for all sides of the pool & hopper pad shape. Measure to the point of the pool corner, not a radius coping.
- ✓ **Pool Corners**

Indicate Square, Diagonal or Radius. Indicate dimensions in inches. Guides are available to help determine sizes.
- ✓ **Color / Pattern / Thickness**

Clearly indicate these three choices.
- ✓ **ABG Liners**

Indicate: A) Wall height, B) Bead or Overlap, C) Make if non-standard.
- ✓ **Preformed Steps**

Indicate step location within pool perimeter for liner wall seam location.

SAFETY COVERS

- ✓ **Step Dimensions**

Double check Depth, Width, & Shape.
- ✓ **A/B Points & Distances**

Free Form Covers – include:

 - Distance between A/B points.
 - Pool sketch showing A/B line, pool direction, and all obstructions.
 - Replacement covers – measure to anchors and pool from the same A/B line.
- ✓ **Corners**

Indicate pool corners as Square, Diagonal or Radius. Include dimensions in inches. Guides are available to help determine sizes.
- ✓ **Grid Spacing**

Geometric shapes must indicate 3x3 or 5x5.
- ✓ **Grecian Covers**

Provide dimensions for all sides of the pool. Measure to the point of the pool corner, not a radius coping.
- ✓ **Color / Material**

Clearly indicate these choices.
- ✓ **Pump / Drain / Waiver**

One must be selected.
- ✓ **Deck Type & Size**
 - Confirm at least 3' of deck; decks less than 3' can use the reduced deck mount system.
 - Indicate Deck type, Anchor, and if padding is required.
- ✓ **Obstructions**
 - Indicate all non-removable obstructions within 3' of the pool.
 - Provide photos of all obstructions.